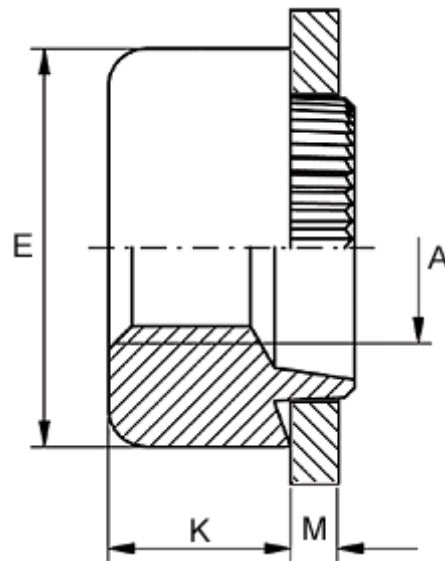


Article number: 12706000120500

Description: KLEE-coil 706 000 120.500
M12 St. steel 1.4305

Measures



Female thread A	= M12
Height K	= 10.0
Outer diameter E	= 25.0
Plate thickness	= 1.4 to 1.6
Recommended bore diameter for extreme load	= 19.0
Recommended bore diameter for normal use	= 20.0